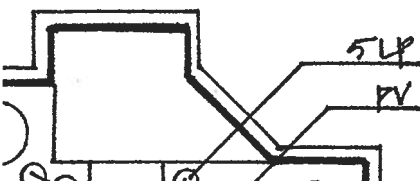
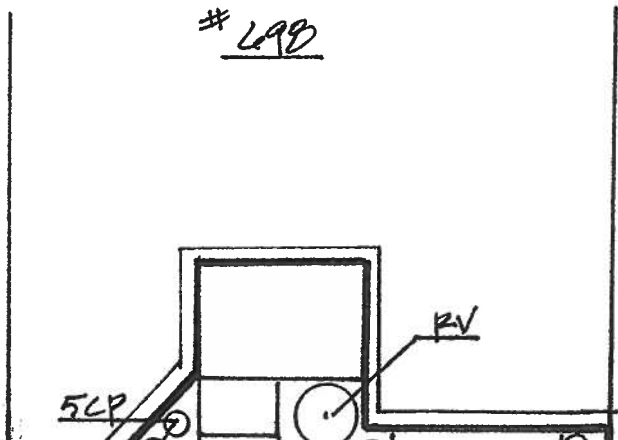


PLANT LIST		Bridlington			
SBL	QTY	BOTANICAL NAME	COMMON NAME	SIZE	RMRK
<b>SHADE TREES</b>					
NS	1	Nyssa Sylvatica (fph)	Black gum	2.5"-3"	B & B
QA	1	Quercus alba	White oak	2.5"-3"	B & B
QF	1	Quercus falcate	Southern red oak	2.5"-3"	B & B
QP	1	Quercus prinus	Chestnut oak	2.5"-3"	B & B
<b>ORNAMENTAL TREES</b>					
CN	1	Cornus alternifolia	Alternative leaf dogwood		#2 cont
✓MV	1	Magnolia virginiana	Sweetbay magnolia		#2 cont
✓RC	1	Rhus copallinum	Winged sumac		#2 cont
<b>SHRUBS</b>					
✓AR	1	Aronia arbutifolia	Red chokeberry		#3 cont
✓AM	2	Aronia melanocarpa	Black chokeberry		#1 cont
✓CA	2	Clethra alnifolia	Sweet pepperbush		#7 cont
✓IG	6	Ilex glabra	Inkberry		#7 cont
✓KL	5	Kalmia latifolia	Mountain laurel		
✓MY	1	Myrica pensylvanica	Northern bayberry		#2 cont
✓PM	1	Prunus maritima	Beach plum		#2 cont
✓RV	7	Rhododendron viscosum	Swamp azalea		# 3 cont
✓VO	4	Vaccinium corymbosum	Highbush blueberry		#3 cont
<b>PERENNIALS</b>					
RN ✓RV	AS	12	Aster spectabilis	Showy aster	1 qt
RFN	AL	6	Aster linarifolus	Stuff-leaved aster	1 qt
	CM	15	Chimaphila maculata	Spotted wintergreen	1 qt
	HD	19	Helianthus divaricatus	Rough wood sunflower	1 qt
RFN	LP	23	Liatris pilosa	Grass-leaf blazing star	1 qt
	✓MJ	18	Monarda punctata	Horse-mint	1 qt
	SB	11	Solidago bicolor	White goldenrod	1 qt
	SR	7	Solidago rugosa	White-leaved goldenrod	1 qt
	TV	11	Tephrosia virginiana	Goat's Rue	1 qt
<b>ORNAMENTAL GRASSES</b>					
✓CP	15	Carex pensylvanica	Pennsylvania sedge		1 qt
✓PV	6	Panicum Virgatum	Switch grass		1 qt
✓SS	13	Schtzabyrium scoparium	Little bluestem		1 qt
✓SN	13	Sorghastrum nutans	Indian grass		1 qt

#697



#698



Le TV

RV

